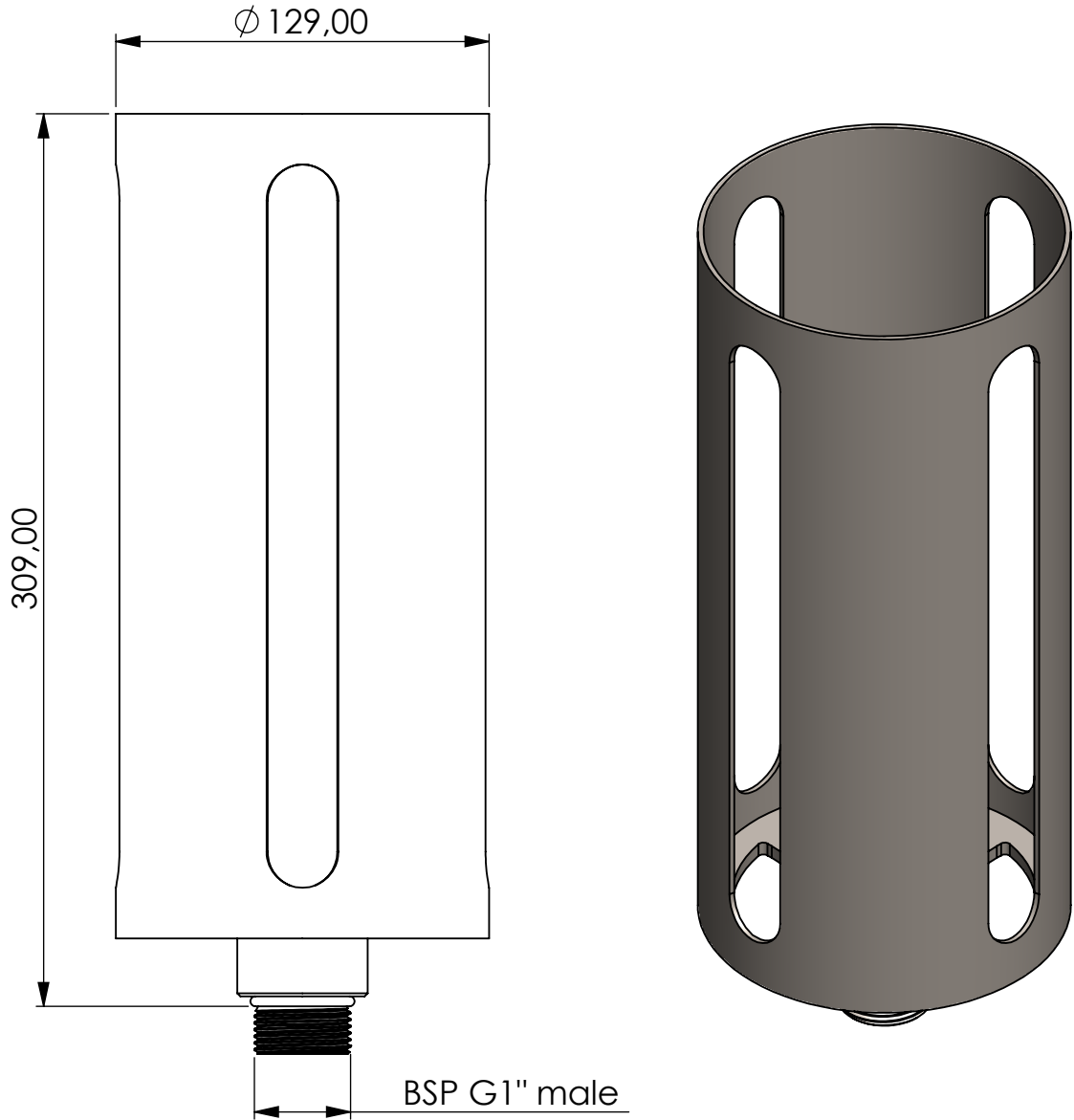


Adsorber Protection Hood



Product Code	APH	-	2	-	SS	-	F	-	G1a
	Adsorber Protection Hood		Size for Adsorber Series		Material stainless steel		FKM seals		Connection for System BSP G1" male

Total weight (kg): 1.98	
NAME: Adsorber Protection Hood APH-2_SS_F_G1a	
Article no.:	Status approved
03.0070.02	Format A4
	Ratio 1:2.5
	Sheet / of 1 / 1

Date	Name
rev. 26.05.2020	Daniel Zinic

GIEBEL FilTec GmbH
www.giebel-adsorber.de
info@giebel-adsorber.de

