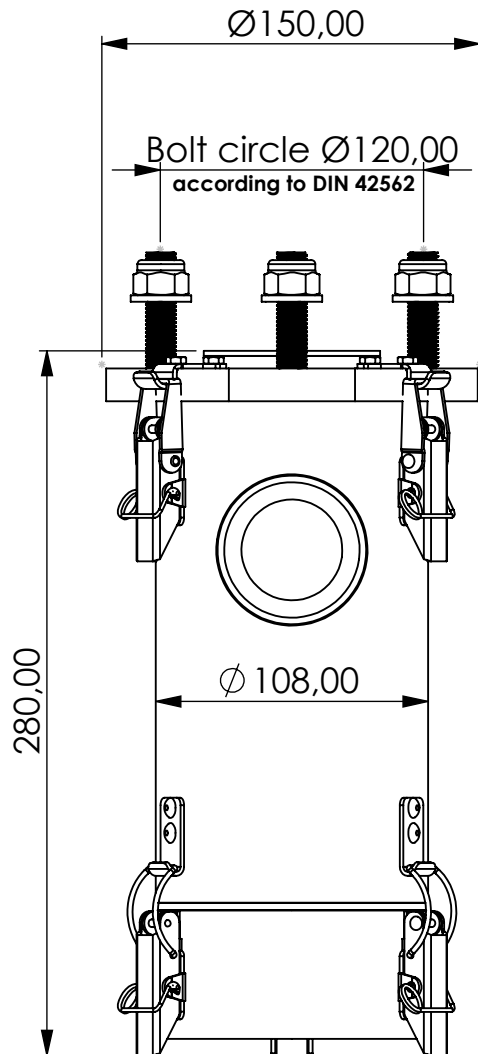
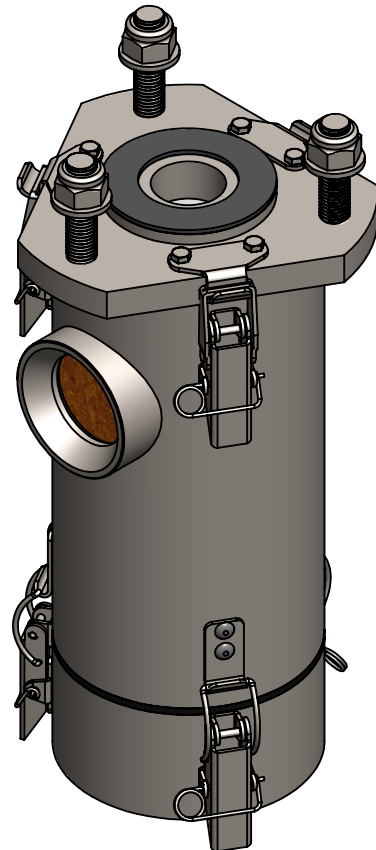


Adsorber TB-ME series

DIN EN 50216-5:2002 + A3:2006



M12 screws & nuts



Product Code	DV TB	310	-	ME	-	F	-	11	-	V2	-	SA	-	DIN42562
	Adsorber type	Size Refillable		Material stainless steel 316L		FKM seals		Check valves 1 IN 1 OUT		Filter fleece 2 micron		Adsorbent Silica Gel Active carbon		Connection for System DIN42562 flange

Housing materials:	Stainless steel 316L	
Silica Gel (kg):	1,1	Max. water adsorbtion (ml): 440
Total weight (kg):	5.76	

NAME:
Adsorber TB 310-ME DIN42562
DV TB 310-ME_F_11_V2_SA_DIN42562

Article no.:	Status	Format
	freigabe	A4
06.0005.08	Maßstab	Blatt / von
	1:3	1 / 1

 GIEBEL Adsorber® ...setting standards in aeration drying!	rev.	Date	Name
		08.04.2020	Daniel Zinic
GIEBEL FilTec GmbH www.giebel-adsorber.de info@giebel-adsorber.de			