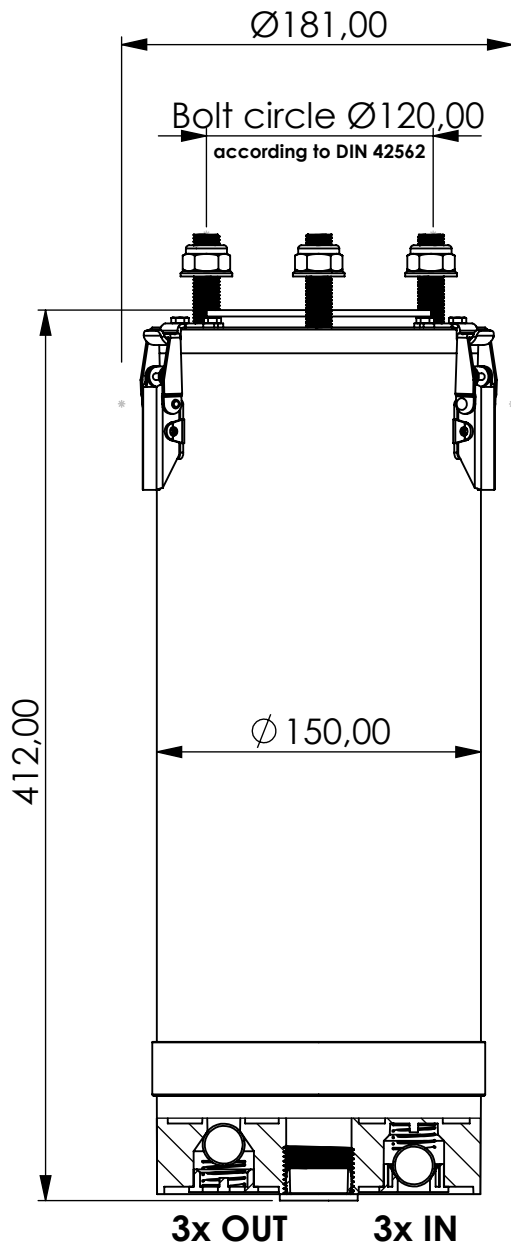
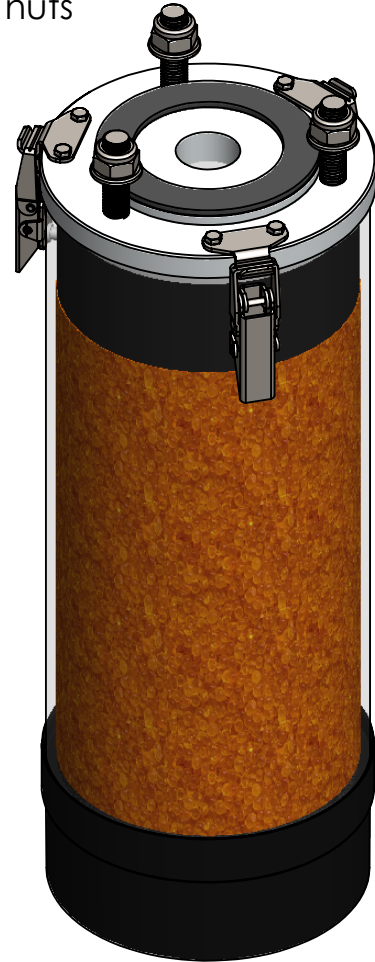


Adsorber TB-RV series



M12 screws & nuts



Product Code	TB	-	RV	-	5L	-	F	-	33	-	V2	-	SA	-	DIN42562
	Adsorber type		Refillable cartridge + valves		Size		FKM seals		Check valves 3 IN 3 OUT		Filter fleece 2 micron		Adsorbent Silica Gel Active carbon		Connection for System DIN42562 flange

Housing materials:	PA6, PC, AL	
Silica Gel (kg):	3,5	Max. water adsorbtion (ml): 1400
Total weight (kg):	6.32	

NAME:
Adsorber TB-RV 5L DIN42562
TB-RV_5L_F_33_V2_SA_DIN42562

 GIEBEL Adsorber® ...setting standards in aeration drying!	Date	Name
	rev. 07.08.2020	Daniel.Zinic
GIEBEL FilTec GmbH www.giebel-adsorber.de info@giebel-adsorber.de		

Article no.:	Status	Format
	freigabe	A4
06.0020.19	Maßstab	Blatt / von
	1:3.5	1 / 1