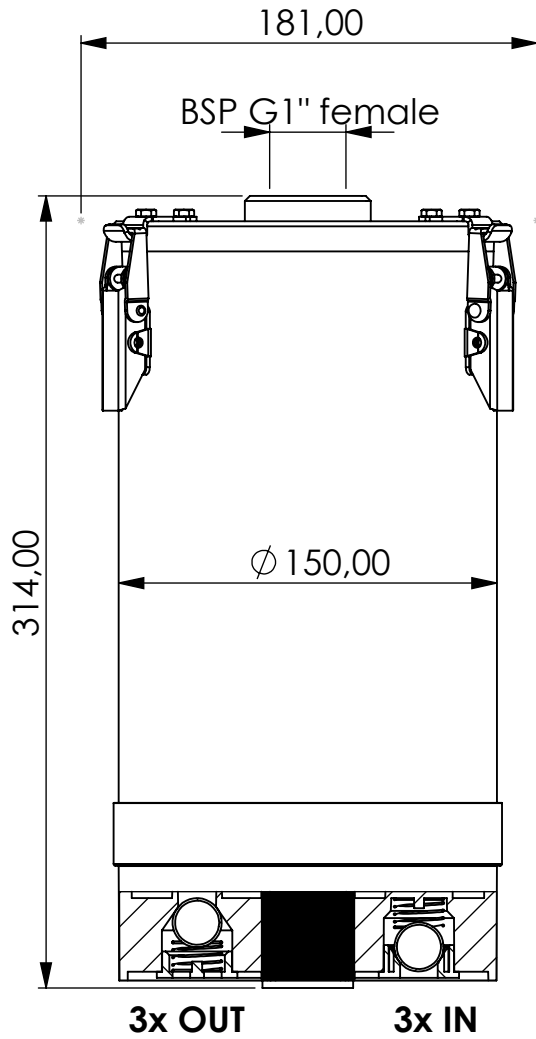


# Adsorber TB-RV series



Product Code	<b>TB</b>	-	<b>RV</b>	-	<b>5M</b>	-	<b>F</b>	-	<b>33</b>	-	<b>V2</b>	-	<b>SA</b>	-	<b>G1i</b>
	Adsorber type		Refillable cartridge + valves		Size		FKM seals		Check valves 3 IN 3 OUT		Filter fleece 2 micron		Adsorbent Silica Gel Active carbon		Connection for System BSP G1" female

Housing materials:	PA6, PC, AL	
Silica Gel (kg):	2,5	Max. water adsorbtion (ml): 1000
Total weight (kg):	4.61	
NAME:	<b>Adsorber TB-RV 5M DIN42567C-G1i</b>	
	TB-RV_5M_F_33_V2_SA_DIN42567C-G1i	
Article no.:	Status freigabe	Format A4
<b>06.0015.26</b>	Maßstab	Blatt / von
	1:3	1 / 1

	Date	Name
rev.	20.05.2022	daniel.zinic
GIEBEL FilTec GmbH		
www.giebel-adsorber.de		
info@giebel-adsorber.de		