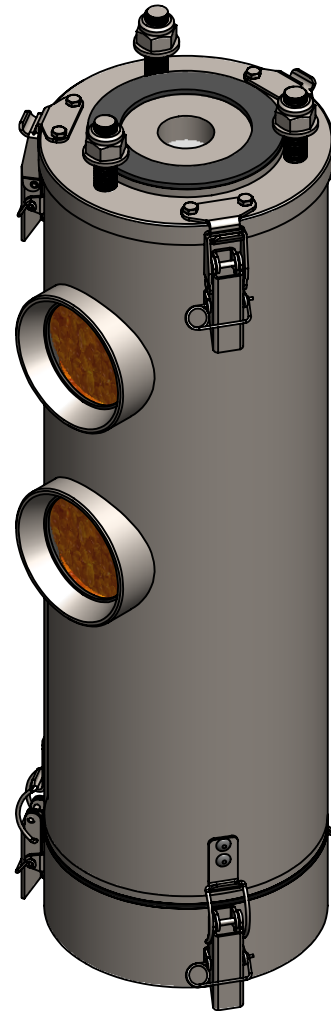
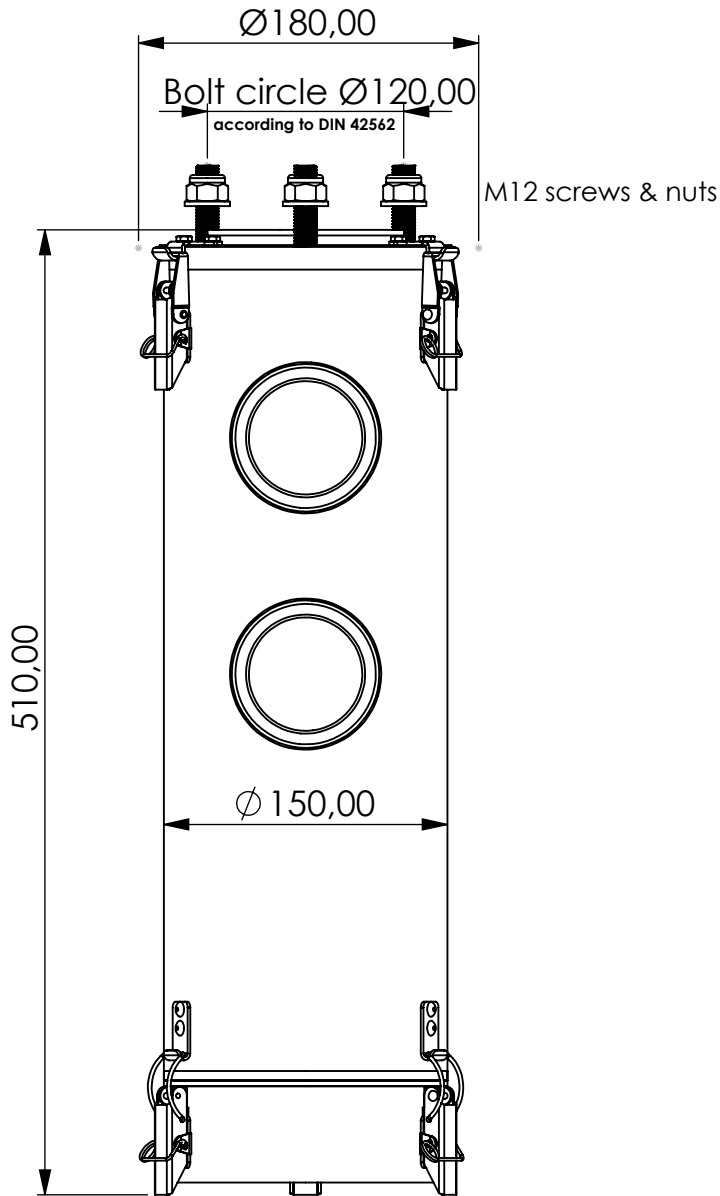


# Adsorber TB-ME series

DIN EN 50216-5:2002 + A3:2006



Product Code	<b>DV TB</b>	<b>560</b>	-	<b>ME</b>	-	<b>F</b>	-	<b>22</b>	-	<b>V2</b>	-	<b>SA</b>	-	<b>DIN42562</b>
	Adsorber type	Size Refillable		Material stainless steel 316L		FKM seals		Check valves 2 IN 2 OUT		Filter fleece 2 micron		Adsorbent Silica Gel Active carbon		Connection for System DIN42562 flange

Housing materials:	Stainless steel 316L	
Silica Gel (kg):	5,0	Max. water adsorbtion (ml): 2000
Total weight (kg):	14.1	

NAME:	<b>Adsorber TB 560-ME DIN42562</b>	
	DV TB 560-ME_F_22_V2_SA_DIN42562	

 <b>GIEBEL Adsorber®</b> ...setting standards in aeration drying!	rev.	Date	Name
		08.04.2020	Daniel Zinic
GIEBEL FilTec GmbH <a href="http://www.giebel-adsorber.de">www.giebel-adsorber.de</a> <a href="mailto:info@giebel-adsorber.de">info@giebel-adsorber.de</a>			

Article no.:	Status freigabe	Format A4
<b>06.0030.28</b>	Maßstab	Blatt / von
	1:4	1 / 1