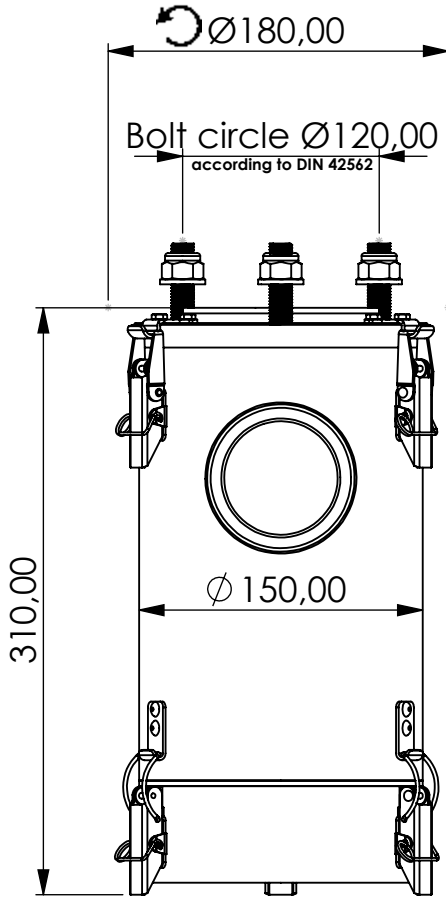
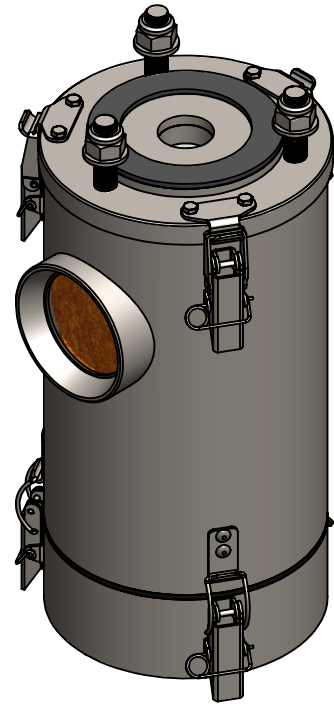


Adsorber TM-RV series

DIN EN 50216-5:2002 + A3:2006



M12 screws & nuts



Product Code	TM	-	RV	-	F	-	22	-	V2	-	SA	-	DIN42562
	Adsorber type		Size Refillable + valves		FKM seals		Check valves 2 IN 2 OUT		Filter fleece 2 micron		Adsorbent Silica Gel Active carbon		Connection for System DIN42562 flange

Housing materials:	Stainless steel 316L	
Silica Gel (kg):	2,5	Max. water adsorbtion (ml): 1000
Total weight (kg):	9.7	

NAME:		
Adsorber TB-RV 5M DIN42562		
TB-RV_5M_F_22_V2_SA_DIN42562		
Article no.:	Status freigabe	Format A4
06.0015.09	Maßstab	Blatt / von
	1:4	1 / 1



GIEBEL Adsorber®
...setting standards in aeration drying!

GIEBEL FilTec GmbH
www.giebel-adsorber.de
info@giebel-adsorber.de