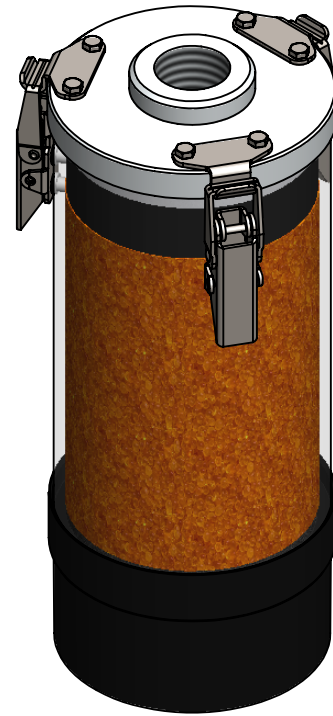
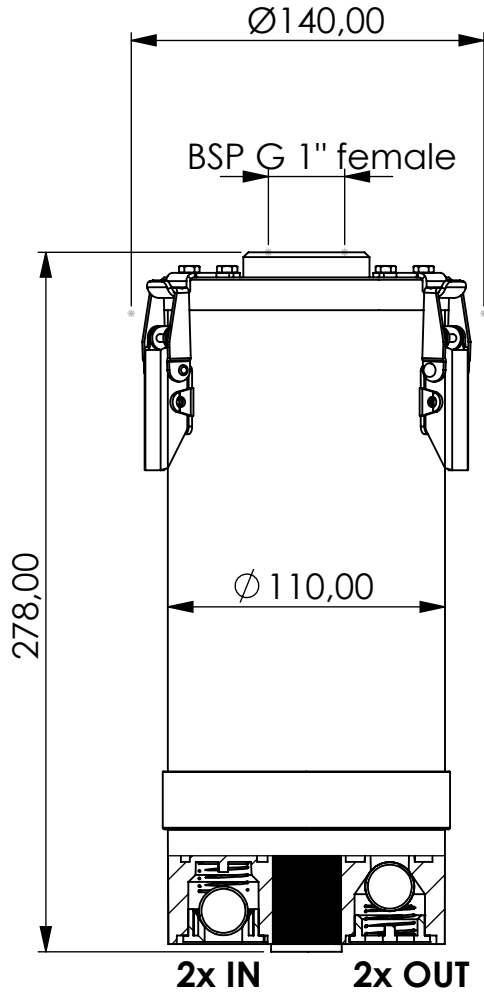


Adsorber TB-RV series



Product Code	TB	-	RV	-	3M	-	F	-	22	-	V2	-	SA	-	G1i
	Adsorber type		Refillable cartridge + valves		Size		FKM seals		Check valves 2 IN 2 OUT		Filter fleece 2 micron		Adsorbent Silica Gel Active carbon		Connection for System G 1" female

Housing materials:	PA6, PC, AL		
Silica Gel (kg):	1,0	Max. water adsorbtion (ml):	400
Total weight (kg):	2.37		
NAME:	Adsorber TB-RV 3M DIN42567C-G1i		
Article no.:	06.0005.17		
Status freigabe	A4		Format
Maßstab	1:3		Blatt / von
			1 / 1

 GIEBEL Adsorber® <small>...setting standards in aeration drying!</small>	Date	Name
	rev. 04.08.2020	Daniel.Zinic
GIEBEL FilTec GmbH www.giebel-adsorber.de info@giebel-adsorber.de		