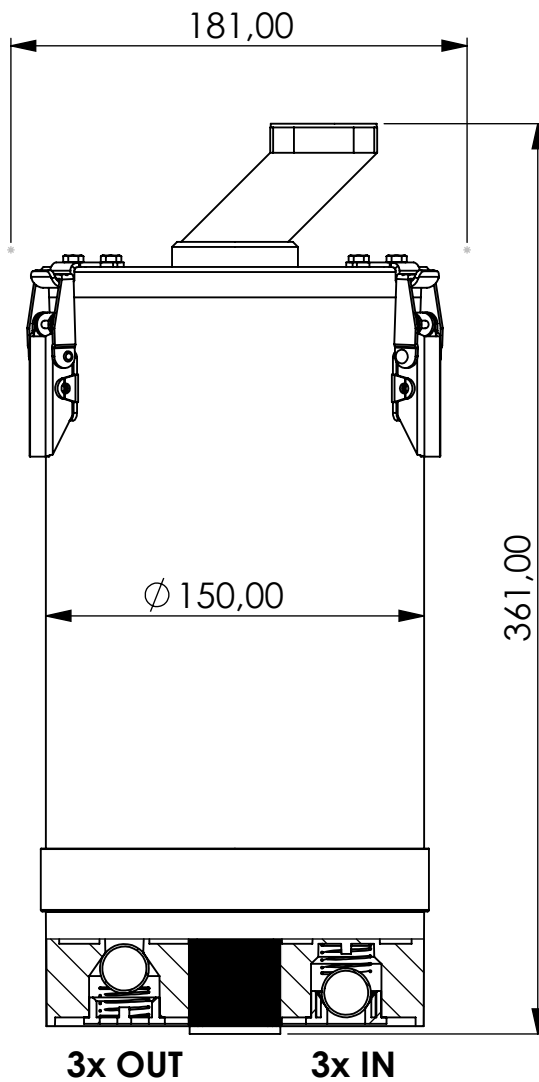


Adsorber TB-RV series



Product Code	TB	-	RV	-	5M	-	F	-	33	-	V2	-	SA	-	DIN42567B
	Adsorber type		Refillable cartridge + valves		Size		FKM seals		Check valves 3 IN 3 OUT		Filter fleece 2 micron		Adsorbent Silica Gel Active carbon		Connection for System DIN42567B flange

Housing materials:	PA6, PC, AL	
Silica Gel (kg):	2,4	Max. water adsorbtion (ml): 960
Total weight (kg):	4.71	
NAME:	Adsorber TB-RV 5M DIN42567B TB-RV_5M_F_33_V2_SA_DIN42567B	
Article no.:	Status freigabe	Format A4
06.0015.21	Maßstab	Blatt / von
	1:3	1 / 1

 GIEBEL Adsorber® ...setting standards in aeration drying!	Date	Name
	rev. 05.09.2020	Daniel.Zinic
GIEBEL FilTec GmbH www.giebel-adsorber.de info@giebel-adsorber.de		