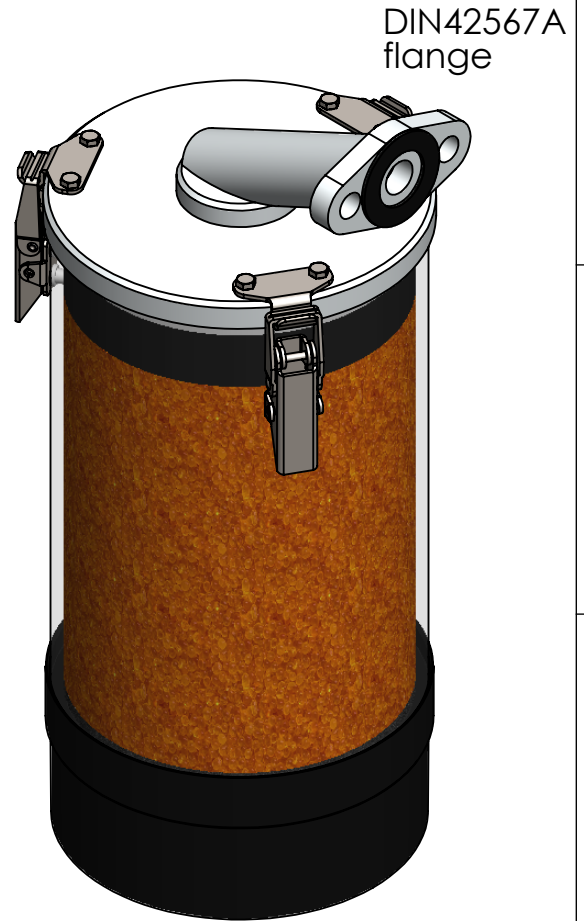
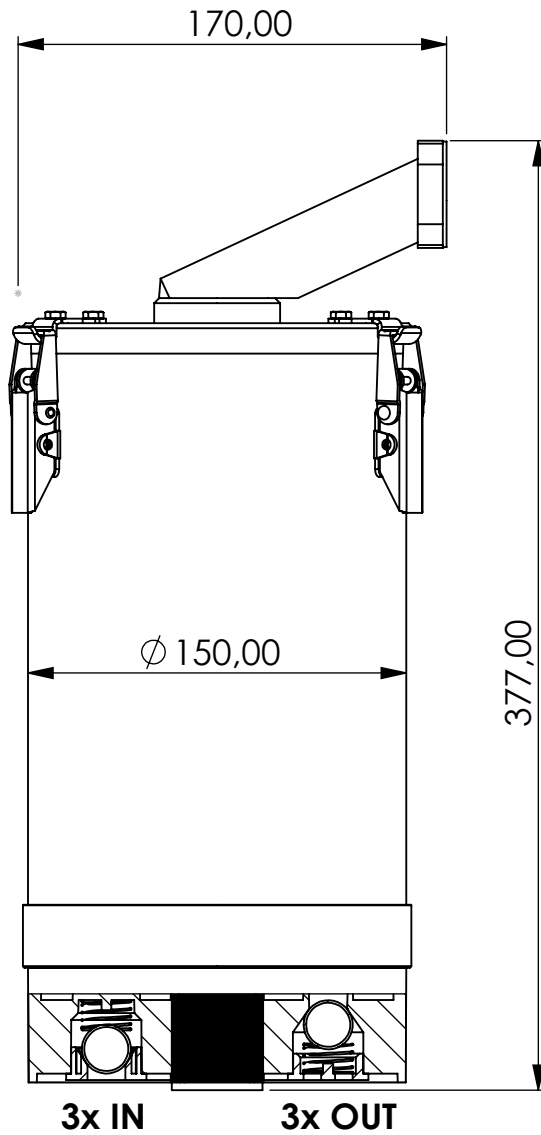


# Adsorber TB-RV series



Product Code	<b>TB</b>	-	<b>RV</b>	-	<b>5M</b>	-	<b>F</b>	-	<b>33</b>	-	<b>V2</b>	-	<b>SA</b>	-	<b>DIN42567A</b>
Adsorber type			Refillable cartridge + valves		Size		FKM seals		Check valves 3 IN 3 OUT		Filter fleece 2 micron		Adsorbent Silica Gel Active carbon		Connection for System DIN42567A flange

Housing materials:	PA6, PC, AL	
Silica Gel (kg):	2,4	Max. water adsorbtion (ml): 960
Total weight (kg):	4.77	
NAME:	<b>Adsorber TB-RV 5M DIN42567A</b> TB-RV_5M_F_33_V2_SA_DIN42567A	
Article no.:	<b>06.0015.20</b>	Status freigabe
		Format A4
		Maßstab 1:3
		Blatt / von 1 / 1

 <b>GIEBEL Adsorber®</b> ...setting standards in aeration drying!	Date	Name
	rev. 27.08.2020	Daniel.Zinic
GIEBEL FilTec GmbH <a href="http://www.giebel-adsorber.de">www.giebel-adsorber.de</a> <a href="mailto:info@giebel-adsorber.de">info@giebel-adsorber.de</a>		