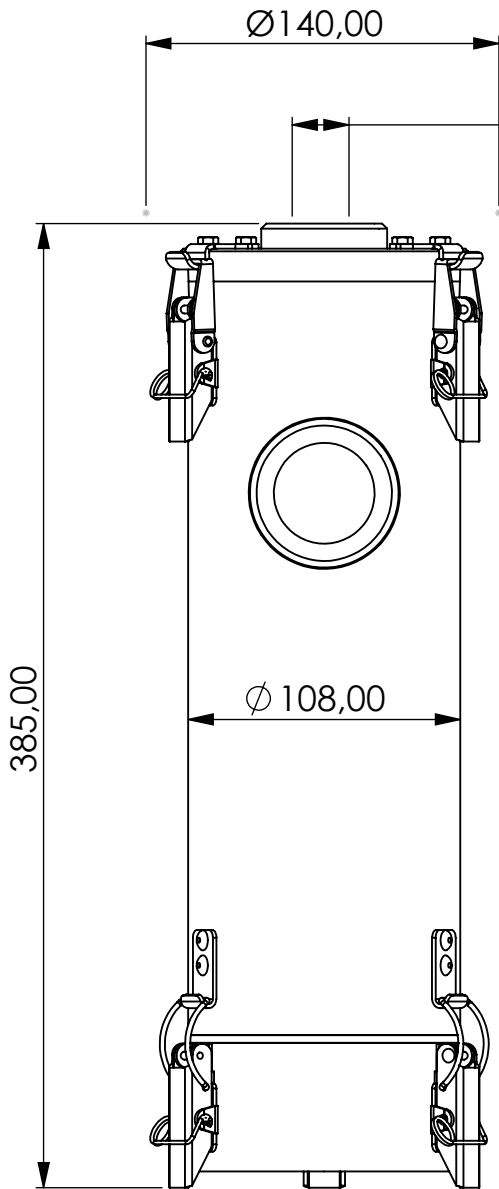
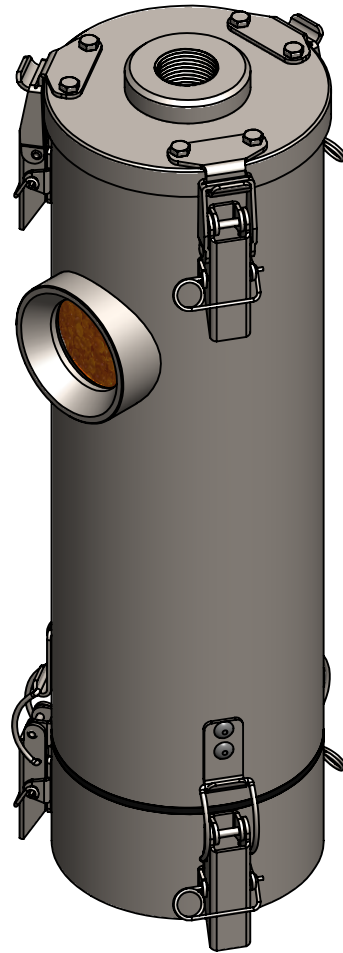


Adsorber TB-ME series

DIN EN 50216-5:2002 + A3:2006



BSP G 3/4" female
according to
DIN42567C



Product Code	DV TB	330	-	ME	-	F	-	11	-	V2	-	SA	-	G34i
	Adsorber type	Size Refillable		Material stainless steel 316L		FKM seals		Check valves 1 IN 1 OUT		Filter fleece 2 micron		Adsorbent Silica Gel Active carbon		Connection for System BSP G3/4 female

Housing materials:	Stainless steel 316L	
Silica Gel (kg):	1,6	Max. water adsorbtion (ml): 640
Total weight (kg):	6.37	

NAME:		
Adsorber TB 330-ME G3/4" f		
DV TB 330-ME_F_11_V2_SA_G34i		
Article no.:	Status freigabe	Format A4
06.0010.09	Maßstab	Blatt / von
	1:3	1 / 1

	Date	Name
rev.	08.04.2020	Daniel Zinic
 GIEBEL Adsorber® ...setting standards in aeration drying!		
GIEBEL FilTec GmbH www.giebel-adsorber.de info@giebel-adsorber.de		