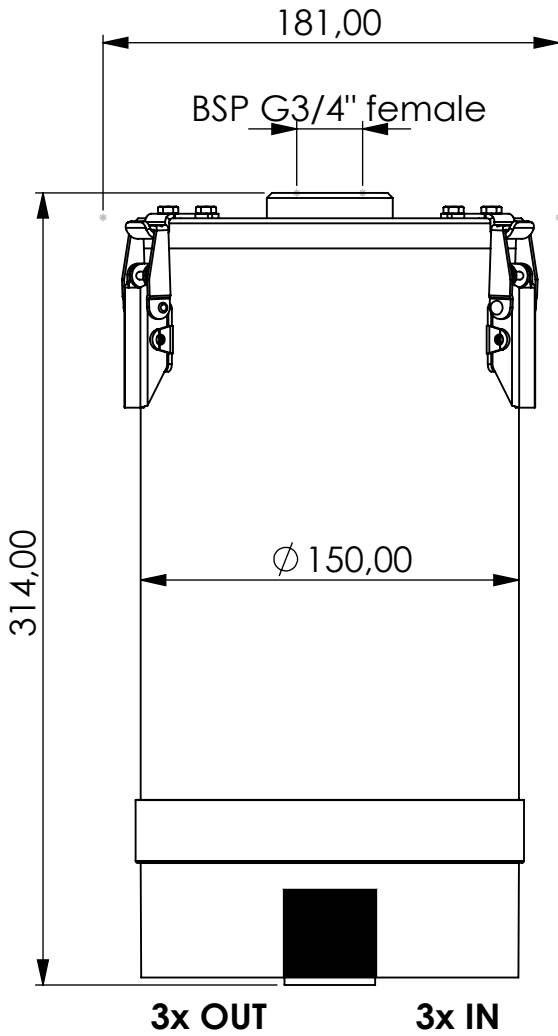


Adsorber TB-RV series



Product Code	TB	-	RV	-	5M	-	F	-	33	-	V2	-	SA	-	G34i
	Adsorber type		Refillable cartridge + valves		Size		FKM seals		Check valves 3 IN 3 OUT		Filter fleece 2 micron		Adsorbent Silica Gel Active carbon		Connection for System BSP G3/4" female

Housing materials:	PA6, PC, AL	
Silica Gel (kg):	2,5	Max. water adsorbtion (ml): 1000
Total weight (kg):	4.62	

NAME:
Adsorber TB-RV 5M DIN42567C-G34i
 TB-RV_5M_F_33_V2_SA_DIN42567C-G34i

rev.	Date	Name
	20.05.2022	daniel.zinic

GIEBEL FilTec GmbH
 www.giebel-adsorber.de
 info@giebel-adsorber.de

Article no.:	Status	Format
	freigabe	A4
06.0015.23	Maßstab	Blatt / von
	1:3	1 / 1