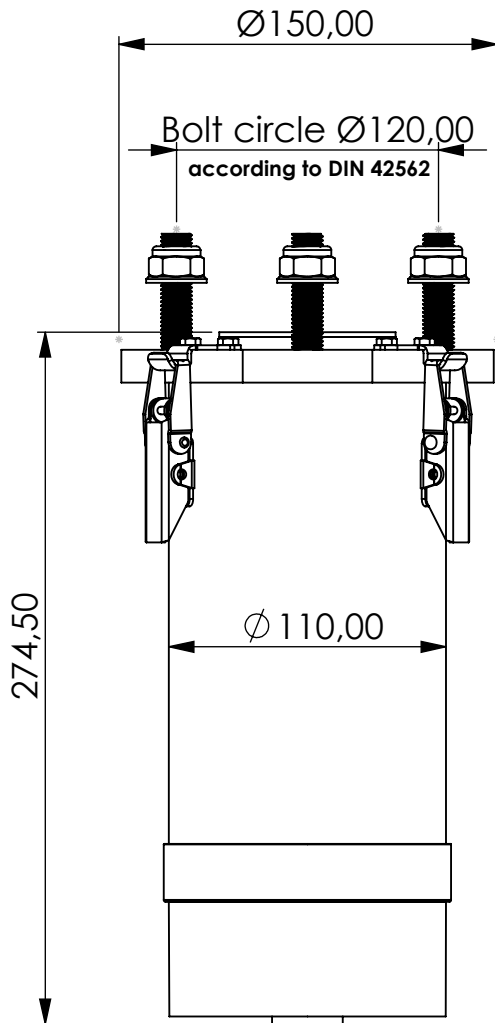
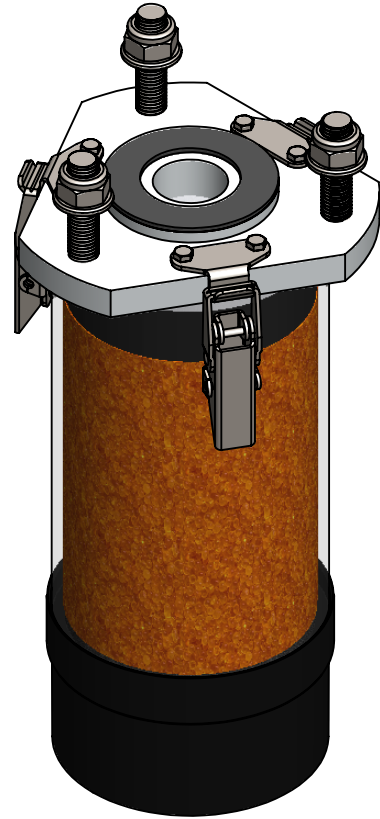


Adsorber TB-RV series



M12 screws & nuts



Product Code	TB	-	RV	-	3M	-	F	-	22	-	V2	-	SA	-	DIN42562
Adsorber type			Refillable cartridge + valves		Size		FKM seals		Check valves 2 IN 2 OUT		Filter fleece 2 micron		Adsorbent Silica Gel Active carbon		Connection for System DIN42562 flange

Housing materials:	PA6, PC, AL	
Silica Gel (kg):	1,0	Max. water adsorbtion (ml): 400
Total weight (kg):	2.7	

NAME:
Adsorber TB-RV 3M DIN42562
TB-RV_3M_F_22_V2_SA_DIN42562

Article no.:	Status freigabe	Format A4
06.0005.21	Maßstab	Blatt / von
	1:3	1 / 1

 GIEBEL Adsorber® ...setting standards in aeration drying!	Date	Name
	rev. 31.07.2020	Daniel Zinic
GIEBEL FilTec GmbH www.giebel-adsorber.de info@giebel-adsorber.de		