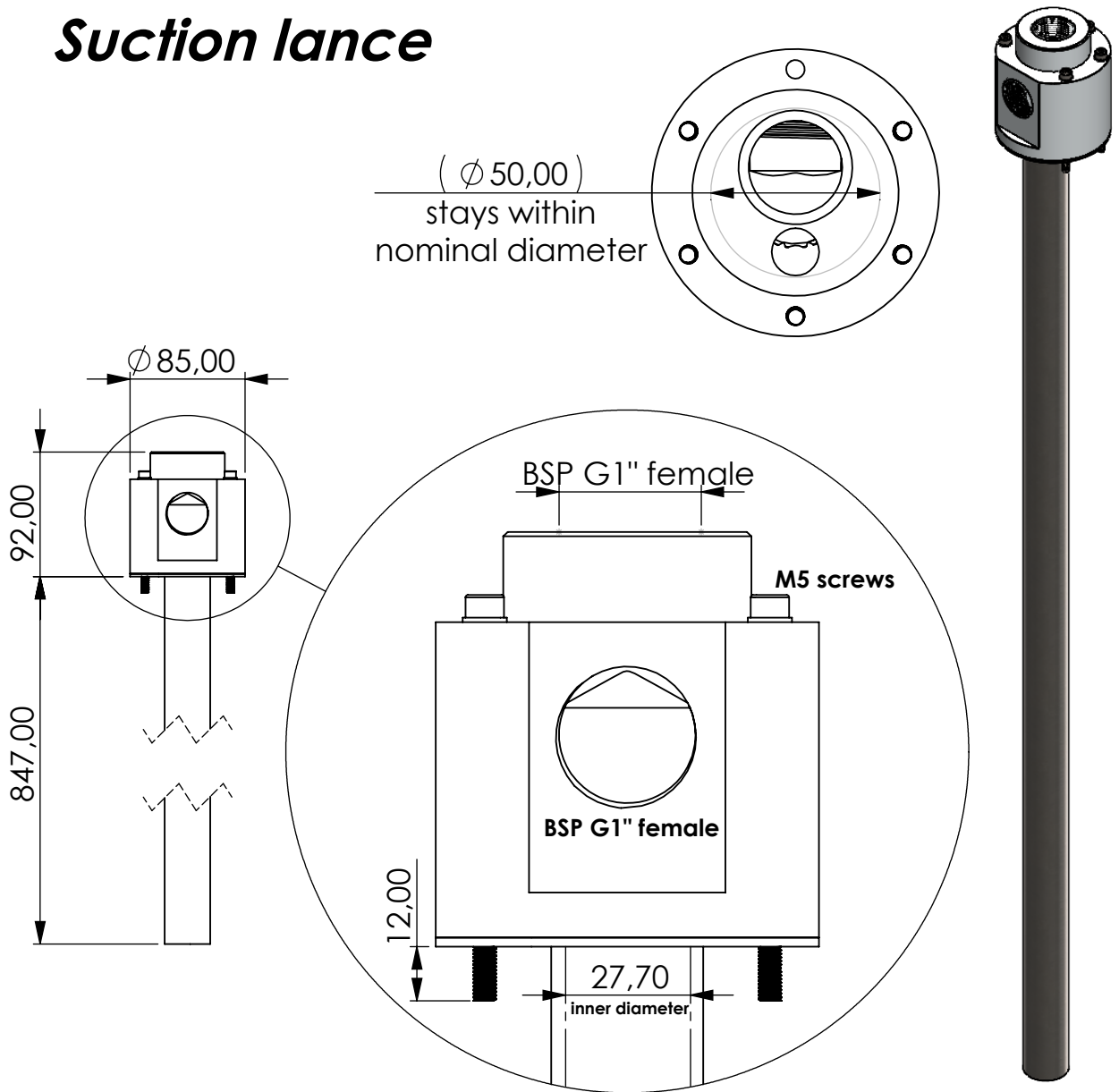


Suction lance



Product Code	SAL	-	LK73	-	AL	-	F	-	1-G1i	-	G1i
	Suction lance		Bolt circle 73mm		Material Aluminium (pipe SS)		FKM seals		1x Connection for Bypass BSP G1" female		Connection for Adsorber BSP G1" female

Total weight (kg): 2.96

NAME:

Suction lance

SAL-LK73_AL_F_1-G1i_G1i

Article no.:

08.2100.03

Status approved

Format A4

Ratio 1:5

Sheet / of 1 / 1

rev.	Date	Name
	17.05.2021	Daniel Zinic



GIEBEL Adsorber®
...setting standards in aeration drying!

GIEBEL FilTec GmbH
www.giebel-adsorber.de
info@giebel-adsorber.de