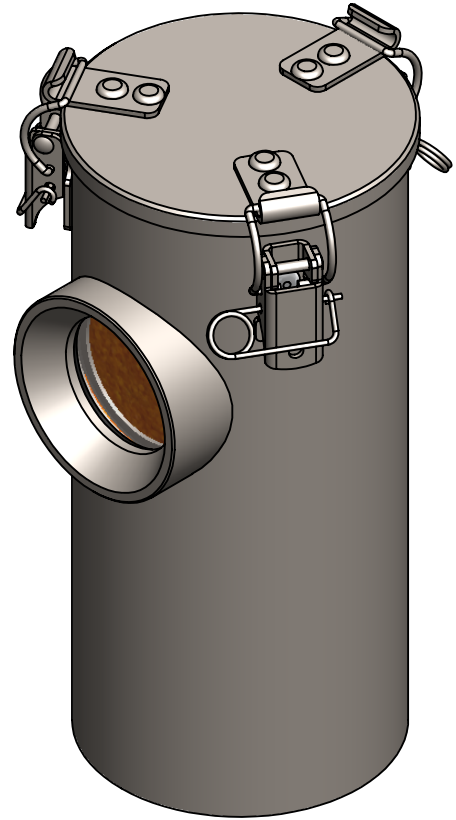
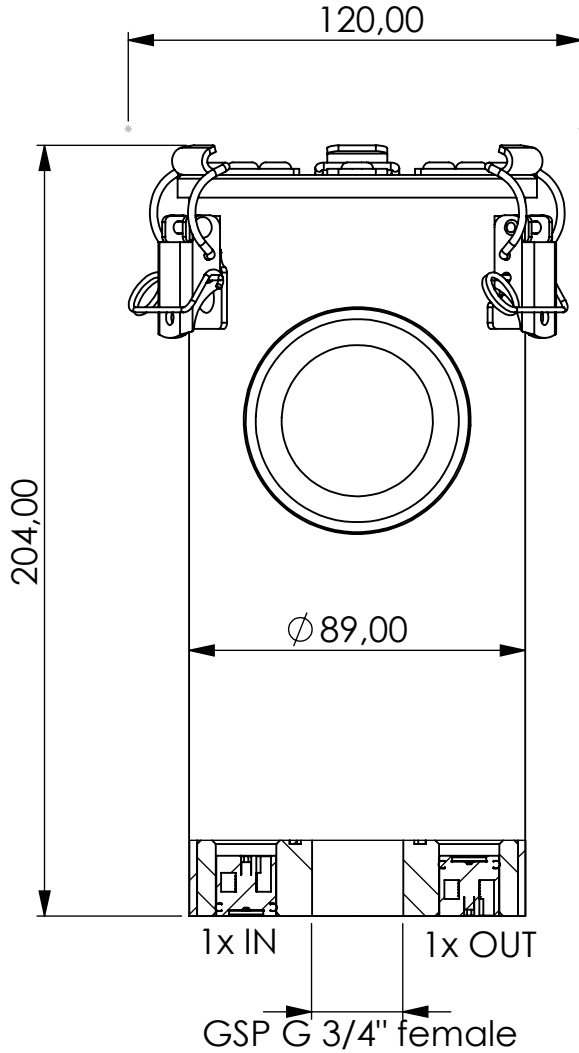


# Adsorber ME-RV series



Product Code	<b>ME</b>	-	<b>RV</b>	-	<b>2L</b>	-	<b>F</b>	-	<b>11</b>	-	<b>P3</b>	-	<b>SA</b>	-	<b>G34f</b>
	Adsorber type		Refillable cartridge + valves		Size		FKM seals		Check valves 1 IN 1 OUT		Paper filter 3 micron		Adsorbent Silica Gel Active carbon		Connection for System BSP G3/4" female

Housing materials:	Stainless steel 316L	
Silica Gel (kg):	0,6	Max. water adsorbtion (ml): 240
Total weight (kg):	2.97	

NAME:		
<b>Adsorber ME-RV 2L G3/4" f</b>		
ME-RV_2L_F_11_P3_SA_G34f		
Article no.:	Status freigabe	Format A4
<b>07.0000.33</b>	Maßstab	Blatt / von
	1:2	1 / 1

 <b>GIEBEL Adsorber®</b> <small>...setting standards in aeration drying!</small>	Date	Name
	rev. 16.07.2021	Daniel Zinic
GIEBEL FilTec GmbH <a href="http://www.giebel-adsorber.de">www.giebel-adsorber.de</a> <a href="mailto:info@giebel-adsorber.de">info@giebel-adsorber.de</a>		