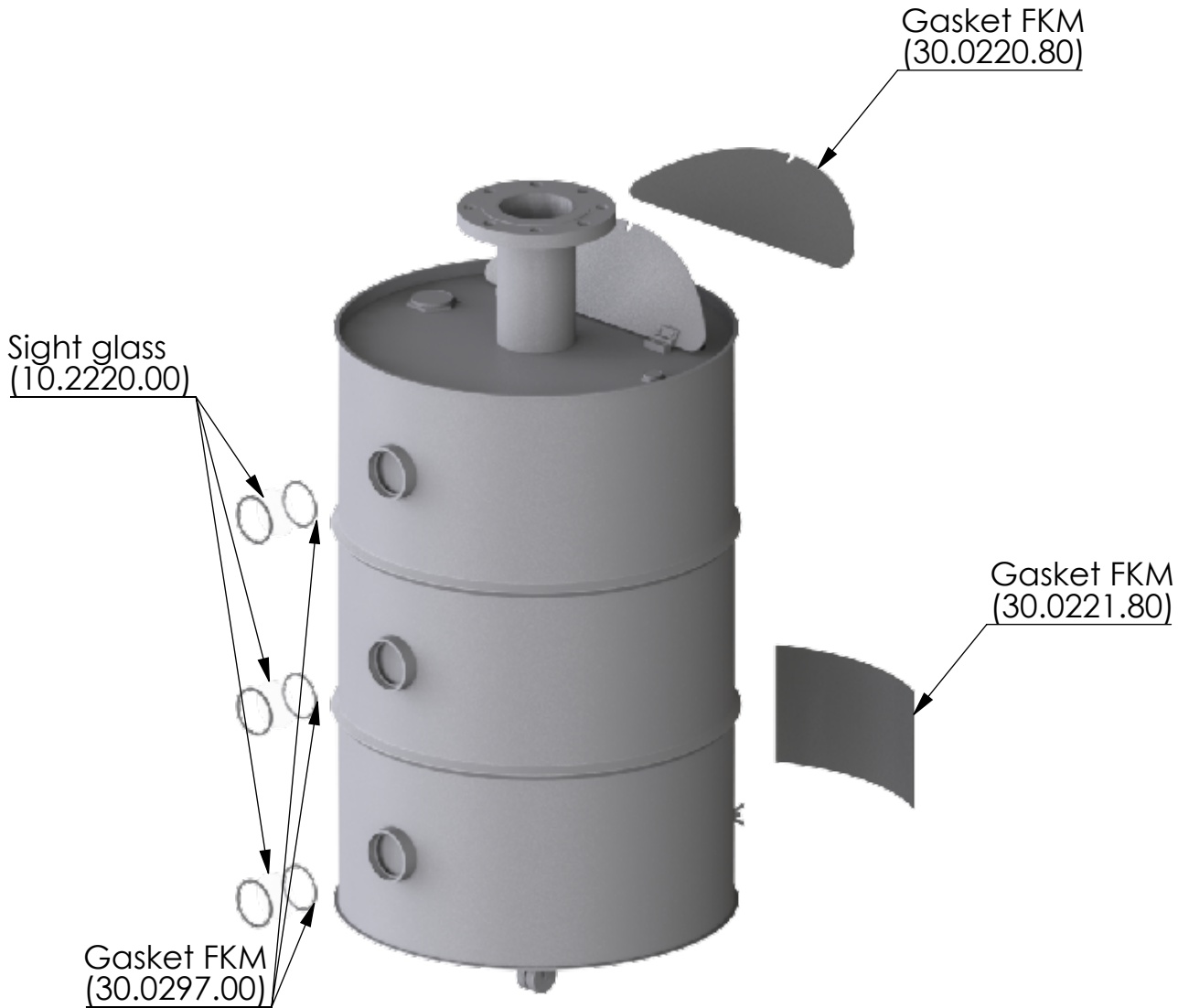


SPARE PARTS KIT ET MS-R 50L



Silicagel needed per Adsorber:
- Adsorber MS-R 50L: 150,0 KG



Silicagel sold separately
(please visit our shop at giebel-adsorber.com/shop)

				Date	Name	Weight (kg): 0.2
				Created	30.11.2021	daniel.zinic
				Released	23.02.2022	daniel.zinic
				GIEBEL FilTec GmbH giebel-adsorber.com info@giebel-adsorber.de		Naming: Spare Parts Kit ET_MS-R_50L_F
						Format A4
						Scale
						Sheet / of 1 / 1
Rev	Changes	Date	Name	Observe protection note ISO 16016		