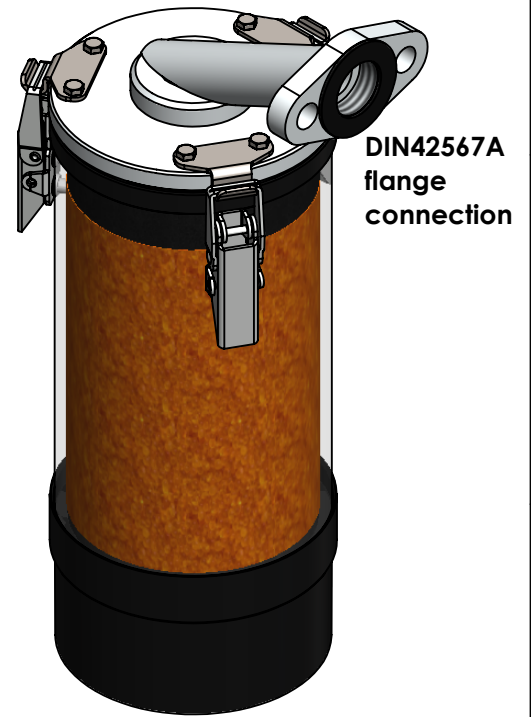
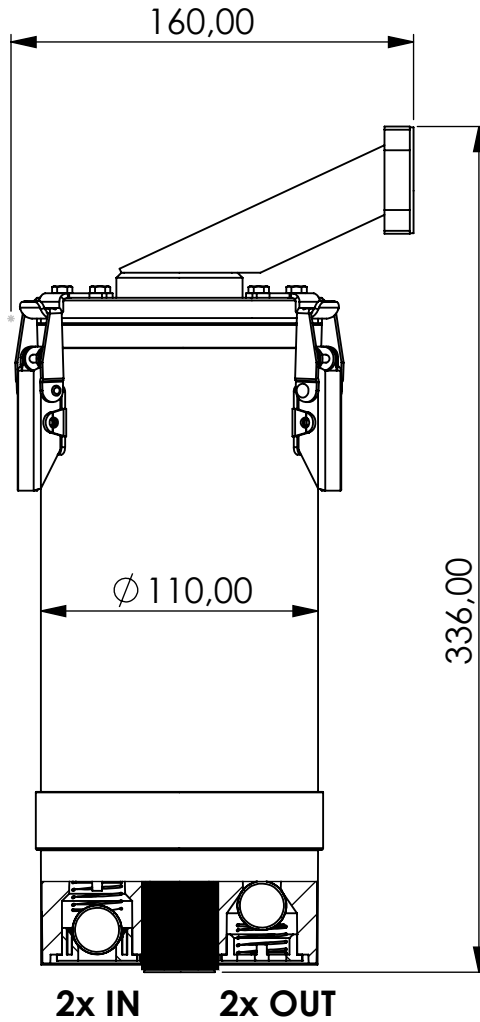


# Adsorber TB-DV series



Product Code	<b>TB</b>	-	<b>DV</b>	-	<b>3M</b>	-	<b>F</b>	-	<b>22</b>	-	<b>V2</b>	-	<b>SA</b>	-	<b>DIN42567A</b>
Adsorber type	Disposable cartridge + valves		Size	FKM seals	Check valves 2 IN 2 OUT		Filter fleece 2 micron		Adsorbent Silica Gel Active carbon		Connection for System DIN42567A				

Housing materials:	PA6, PC, AL		
Silica Gel (kg):	1.1	Max. water adsorbtion (ml):	440
Total weight (kg):	2.46		
NAME:	<b>Adsorber TB-DV 3M DIN42567A</b> TB-DV_3M_F_22_V2_SA_DIN42567A		
Article no.:	<b>06.0005.54</b>	Status freigabe	Format A4
		Maßstab	Blatt / von
		1:3	1 / 1

	Date	Name
rev.	23.05.2022	daniel.zinic
GIEBEL FilTec GmbH		
www.giebel-adsorber.de		
info@giebel-adsorber.de		