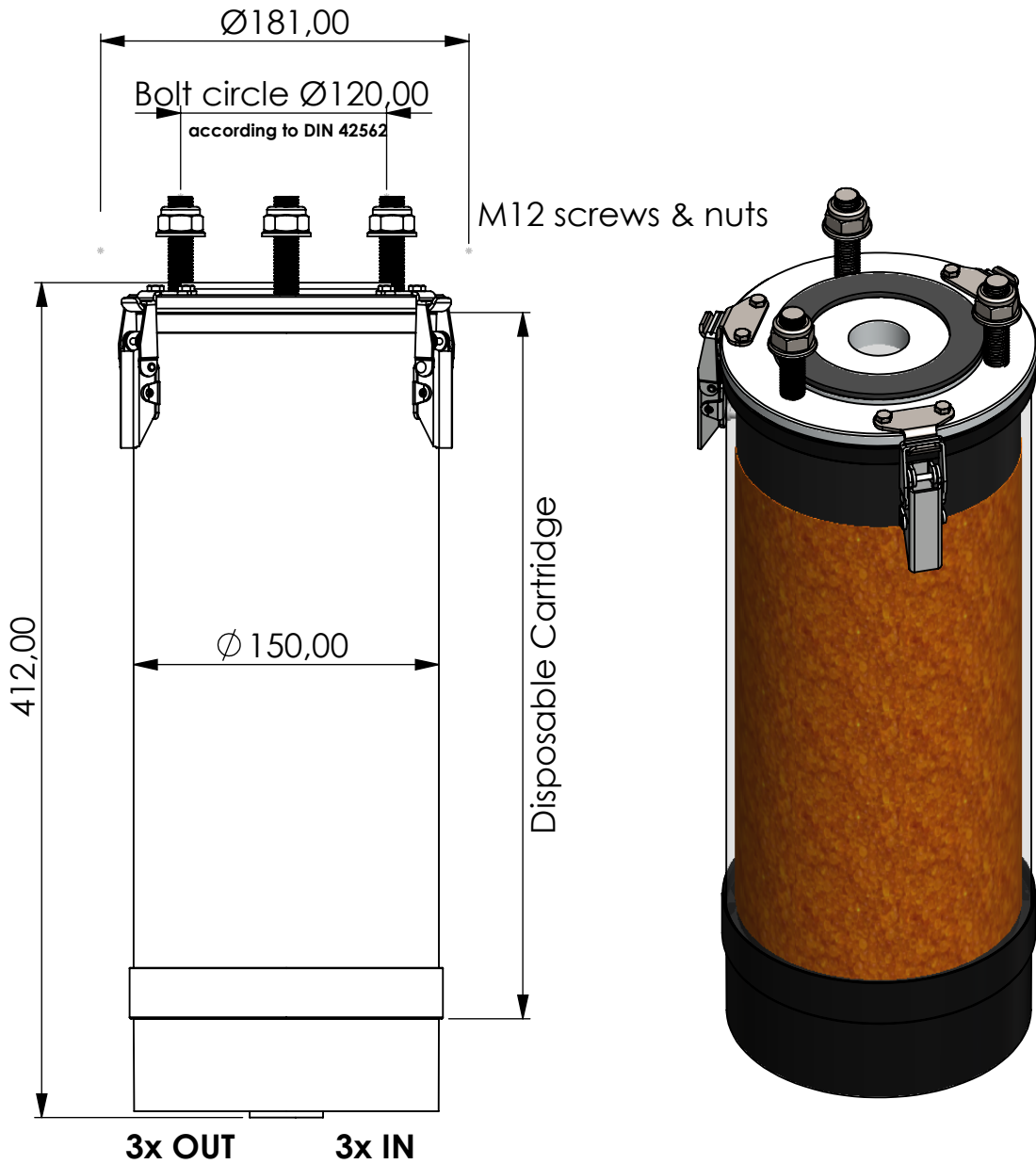


Adsorber TB-DV series



Product Code	TB	-	DV	-	5L	-	F	-	33	-	V2	-	SA	-	DIN42562
	Adsorber type		Disposable cartridge + valves		Size		FKM seals		Check valves 3 IN 3 OUT		Filter fleece 2 micron		Adsorbent Silica Gel Active carbon		Connection for System DIN42562 flange

Housing materials:	PA6, PC, AL	
Silica Gel (kg):	3,6	Max. water adsorbtion (ml): 1440
Total weight (kg):	6.18	
NAME:	Adsorber TB-DV 5L DIN42562 TB-DV_5L_F_33_V2_SA_DIN42562	
Article no.:	06.0020.40	Status freigabe
		Format A4
		Maßstab 1:3.5
		Blatt / von 1 / 1

	Date	Name
rev.	25.05.2022	daniel.zinic
GIEBEL FilTec GmbH		
www.giebel-adsorber.de		
info@giebel-adsorber.de		