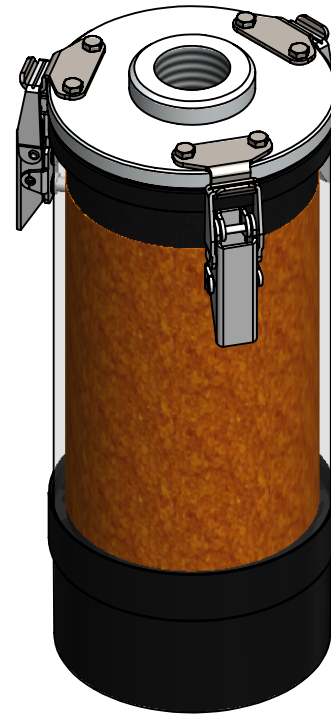
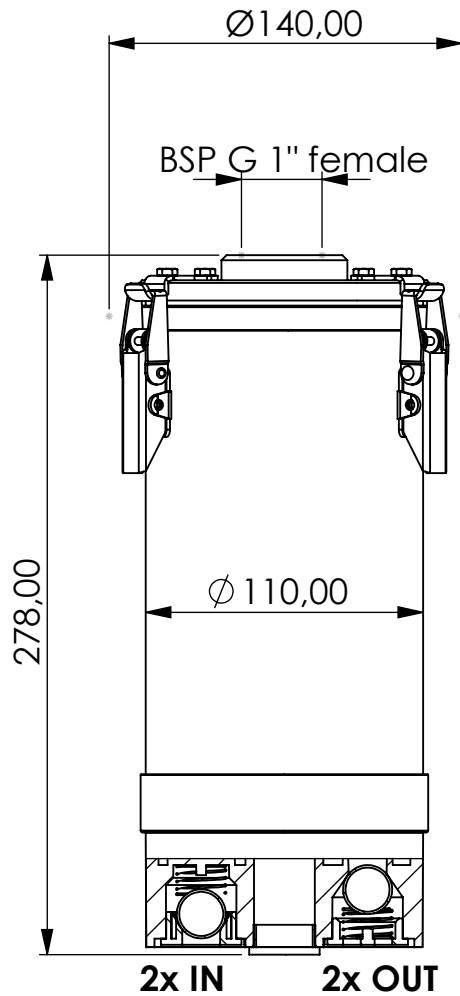


Adsorber TB-DV series



| | | | | | | | | | | | | | | | |
|--------------|---------------|---|-------------------------------|---|-----------|---|-----------|---|-------------------------------|---|---------------------------|---|--|---|--------------------------------------|
| Product Code | TB | - | DV | - | 3M | - | F | - | 22 | - | V2 | - | SA | - | G1f |
| | Adsorber type | | Disposable cartridge + valves | | Size | | FKM seals | | Check valves 2 IN 2 OUT | | Filter fleece 2 micron | | Adsorbent Silica Gel Active carbon | | Connection for System G 1" female |

| | | | |
|--|-----|-----------------------------|-------------|
| Housing materials: | | PA6, PC, AL | |
| Silica Gel (kg): | 1.1 | Max. water adsorbtion (ml): | 440 |
| Total weight (kg): | | 2.33 | |
| NAME: | | | |
| Adsorber TB-DV 3M DIN42567C-G1f | | | |
| TB-DV_3M_F_22_V2_SA_DIN42567C-G1f | | | |
| Article no.: | | Status | Format |
| 06.0005.53 | | freigabe | A4 |
| | | Maßstab | Blatt / von |
| | | 1:3 | 1 / 1 |

| | | |
|-------------------------|------------|--------------|
| | Date | Name |
| rev. | 24.05.2022 | Daniel Zinic |
| GIEBEL FilTec GmbH | | |
| www.giebel-adsorber.de | | |
| info@giebel-adsorber.de | | |