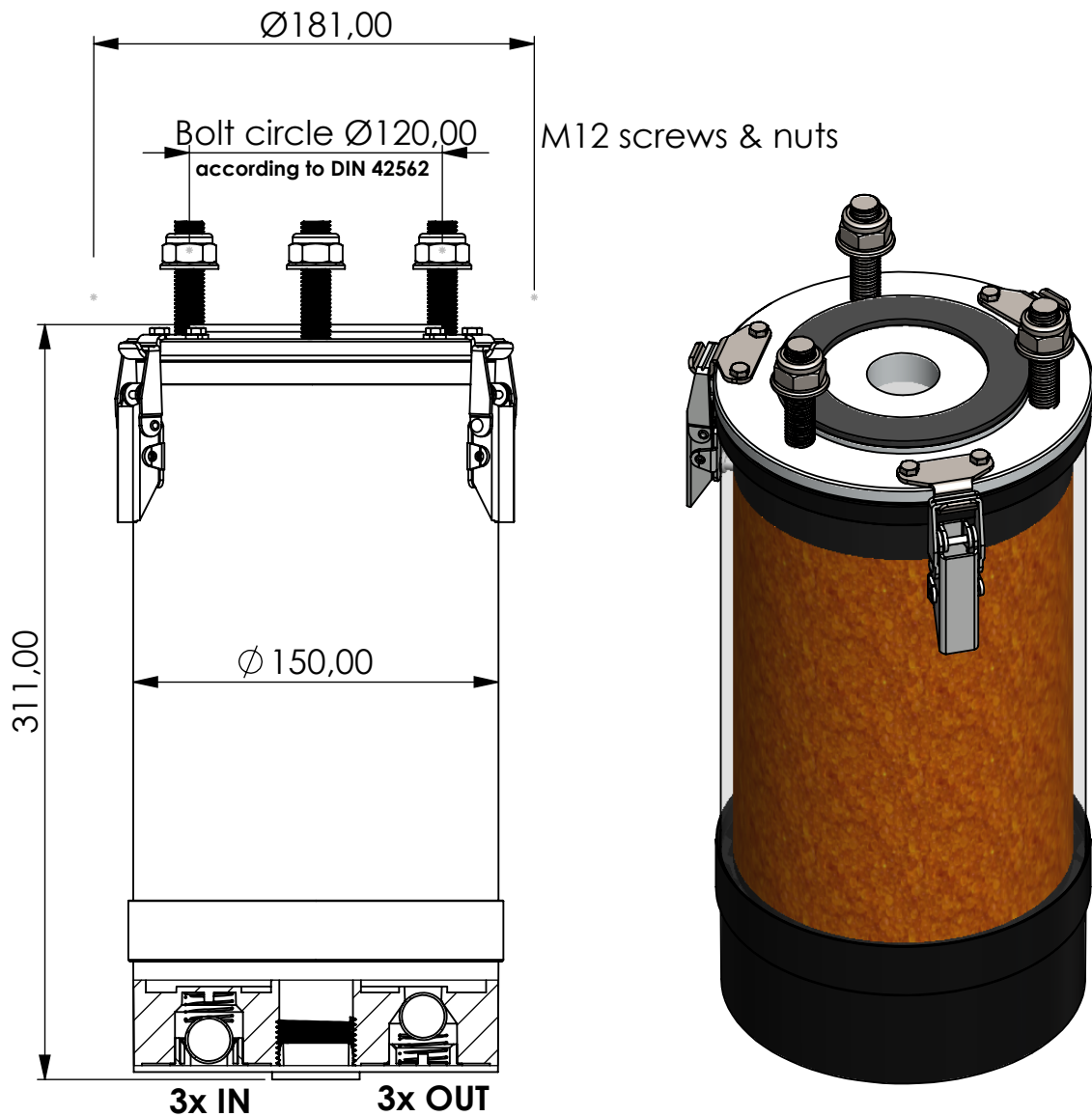


Adsorber TB-DV series



Product Code	TB	-	DV	-	5M	-	F	-	33	-	V2	-	SA	-	DIN42562
Adsorber type			Disposable cartridge + valves		Size		FKM seals		Check valves 3 IN 3 OUT		Filter fleece 2 micron		Adsorbent Silica Gel Active carbon		Connection for System DIN42562 flange

Housing materials:	PA6, PC, AL		
Silica Gel (kg):	2.5	Max. water adsorbtion (ml):	1000
Total weight (kg):	4.70		
NAME:	Adsorber TB-DV 5M DIN42562 TB-DV_5M_F_33_V2_SA_DIN42562		
Article no.:	06.0015.40	Status freigabe	Format A4
		Maßstab	Blatt / von
		1:3	1 / 1

	Date	Name
rev.	25.05.2022	daniel.zinic
GIEBEL FilTec GmbH		
www.giebel-adsorber.de		
info@giebel-adsorber.de		