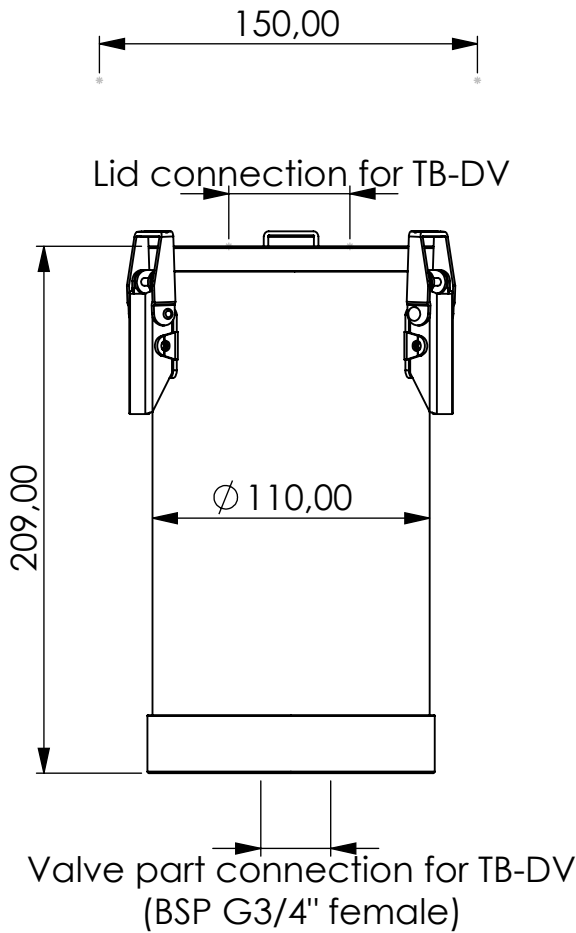


Spare Parts Kit TB-D



Product Code	TB	-	D	-	3M	-	F	-	00	-	V2	-	SA	-	G34f
	Adsorber type		Disposable cartridge		Size		FKM seals		No Check valves		Filter fleece 2 micron		Adsorbent Silica Gel Active carbon		Connection for Valve part TB-DV

Housing materials: PA6, PC	
Silica Gel (kg): 1.0	Max. water adsorbtion (ml): 400
Total weight (kg): 1.8	
NAME:	
Spare Parts Kit TB-D 3M	
TB-D_3M_F_00_V2_SA_G34f	
Article no.:	Status
06.0005.60	freigabe
	Format
	A4
	Blatt / von
	1 / 1

rev.	Date	Name
	01.03.2022	Daniel Zinic

GIEBEL FilTec GmbH
www.giebel-adsorber.de
info@giebel-adsorber.de